

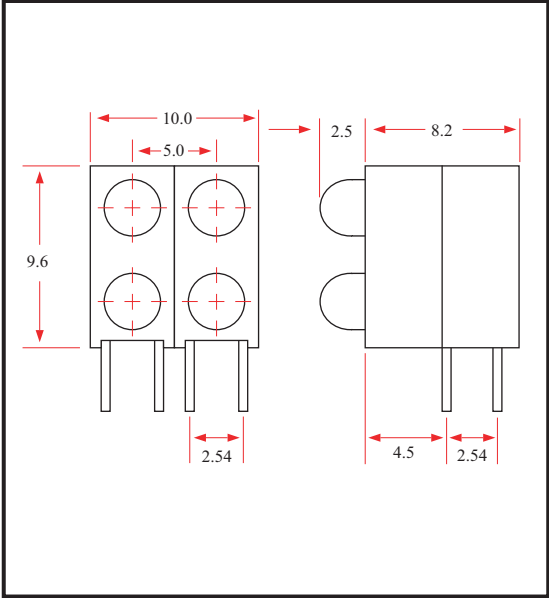
**MAIN FEATURES:**

- Low Power Consumption
- High Efficiency and Low Cost
- Good Control and Free Combinations on The Colors of LED Lamps
- Good Lock and Easy To Assembly

**ABSOLUTE MAXIMUM RATINGS: (Ta=25°C)**

Reverse Voltage	GaASP Red 3.0V Other 5.0V
D.C. Forward Current	30mA
Plus Current (1/10 Duty Cycle 0.1mS Plus Width)	100mA
Operating Temperature Range	- 40°C To + 80°C
Storage Temperature Range	- 40°C To + 80°C
Lead Soldering Temp (1.6mm Form Body)	260°C For 5 Sec.

- NOTES: 1. All Dimensions ±0.25mm Unless Otherwise Noted.  
2. Color Combination As Customer's Requirement.  
3. Holder Color: Black  
4. Holder Material Meets UI94V-2*

**PACKAGE DIMENSIONS**

**PART NO. SELECTION AND APPLICATION INFORMATION (RATINGS AT 25°C AMBIENT)**

Part No.	Emitted Color	Lens Color	Peak Wavelength @ 20mA (nm)	Forward Voltage @ 20mA Typ.	Luminous Intensity @ 20mA (mcd)	View Angle 2θ <sub>1/2</sub> (Deg)
GB-42-2-II	Hi-Eff Red	Red Diffused	635	2.1	40	50
GB-42-2-YY	Yellow	Yellow Diffused	588	2.1	35	50
GB-42-2-GG	Green	Green Diffused	568	2.2	50	50
GB-42-2-IG	Hi-Eff Red / Green	Red / Green Diffused	635 / 568	2.1 / 2.2	100 / 50	50 / 50
GB-42-2-YG	Yellow / Green	Yellow / Green Diffused	588 / 568	2.1 / 2.2	40 / 50	50 / 50

**TESTING CONDITION FOR EACH PARAMETER :**

PARAMETER:	SYMBOL	UNIT	TEST CONDITION
REVERSE VOLTAGE	V <sub>r</sub>	VOLT	V <sub>r</sub> = 5.0 Volt
REVERSE CURRENT	I <sub>r</sub>	μA	I <sub>f</sub> = 20mA
FORWARD VOLTAGE	V <sub>f</sub>	VOLT	I <sub>f</sub> = 20mA
LUMINOUS INTENSITY	I <sub>v</sub>	MCD	I <sub>f</sub> = 20mA
VIEWING ANGLE	2θ <sub>1/2</sub>	DEGREE	
RECOMMENDED OPERATING CURRENT	I <sub>f</sub> (Rec)	mA	