

DESCRIPTION:

The PT224 series consists of a NPN silicon phototransistor encapsulated in blue transparent, dark blue or water clear plastic package.
The dark blue plastic package which cuts the visible light is suitable for the detection of infrared application.

ABSOLUTE MAXIMUM RATINGS: (Ta=25°C)

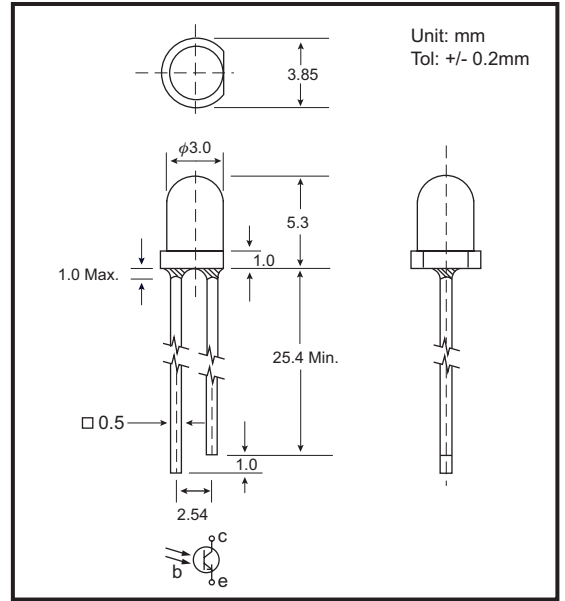
Parameter	Max
Power Dissipation	100mW
Collector-Emitter Voltage	30V
Emitter-Collector Voltage	5V
Collector Current	20mA
Operating Temperature Range	-40°C To +85°C
Storage Temperature Range	-55°C To +100°C
Lead Soldering Temperature 1.6mm(.06") from body	260°C for 5 seconds

NOTES : 1. All dimensions are in millimeters.

2. Lead spacing is measured where the leads emerge from the package.

3. Protuded resin under flange is 1.5 mm (0.059") Max.

PACKAGE DIMENSIONS



ELECTRO-OPTICAL CHARACTERISTICS (Ta=25°C)

Part No.	Lens Color	Wave Length of Peak Sensitivity λ_p (nm)	Range of Spectral Bandwidth $\lambda_{0.5}$ (nm)	Collector-Emitter Saturation Voltage	Collector Dark Current I_D (nA)	On State Collector Current I_C (on)			Angular Response $\Delta\theta$ (Deg)
		Typ	Typ	Max	Max	Min	Typ	Max	Typ
GB-PT224A21C	Water Clear	980	400~1200	0.4	100	0.70	1.30	1.90	± 20
GB-PT224A21BT	Blue Transparent								
GB-PT224A21DB	Dark Blue								
GB-PT224A22C	Water Clear	980	400~1200	0.4	100	1.40	4.00	6.80	± 20
GB-PT224A22BT	Blue Transparent								
GB-PT224A22DB	Dark Blue								
GB-PT224B21C	Water Clear	860	400~1200	0.4	100	0.70	1.30	1.90	± 20
GB-PT224B21BT	Blue Transparent								
GB-PT224B21DB	Dark Blue								
GB-PT224B22C	Water Clear	860	400~1200	0.4	100	0.70	2.00	3.40	± 20
GB-PT224B22BT	Blue Transparent								
GB-PT224B22DB	Dark Blue								

TESTING CONDITION FOR EACH PARAMETER(Ta=25°C)

Parameter	Symbol	Unit	Test Condition
Collector-Emitter Breakdown Voltage	$V_{BR\ CE0}$	V	$I_C=100\mu A$ $E_e=0mW/cm^2$
Emitter-Collector Breakdown Voltage	$V_{BR\ ECO}$	V	$I_E=100\mu A$ $E_e=0mW/cm^2$
Collector-Emitter Saturation Voltage	$V_{CE\ (SAT)}$	V	$I_C=0.1mA$ $H=2.5mW/cm^2$
Collector Dark Current	I_D	nA	$V_{CE}=10V$ $E_e=0mW/cm^2$
Rise Time	T_R	μs	$V_{CC}=5V$ $I_C=1mA$
Fall Time	T_F	μs	$RL=100\Omega$
On State Collector Current	$I_{C(ON)}$	mA	$V_{CE}=5V$ $E_e=1mW/cm^2$ $\lambda=940nm$
Angular Response	$\Delta\theta$	Deg	

