

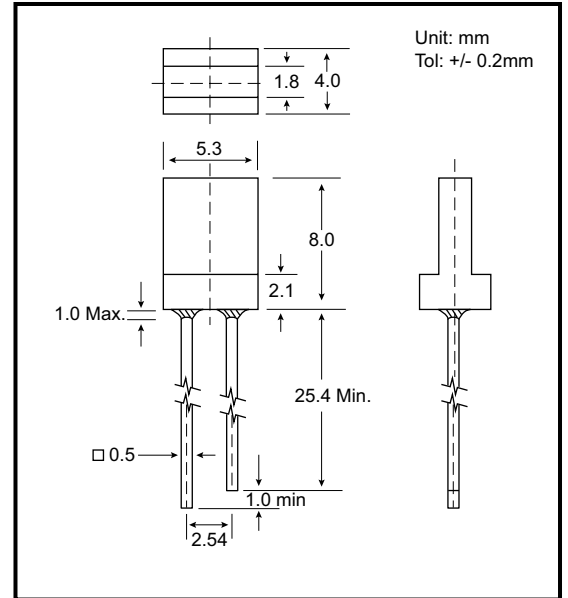
DESCRIPTION:

The 703 series is a 1.8 x 5.3 x 8.0mm rectangular package which is easily stacked in arrays or used for discrete front panel indicator.
 GaP for (703HD, 703GD)
 GaAsP/GaP for (703RHD/YD/SD)

ABSOLUTE MAXIMUM RATINGS: (Ta=25°C)

Reverse Voltage	5 Volt
Reverse Current (Vr =5V)	100μA
Operating Temperature Range	-40°C To 85°C
Storage Temperature Range	-40°C To 100°C
Lead Soldering Temperature (1.6mm (1/16)From Body)	260°C For 5 Seconds

NOTES : 1. All dimensions are in millimeters.
 2. Lead spacing is measured where the leads emerge from the package.
 3. Protuded resin under flange is 1.5 mm (0.059") Max.

PACKAGE DIMENSIONS

PART NO. SELECTION AND APPLICATION INFORMATION (RATINGS AT 25°C AMBIENT)

Part No.	Emitted Color	Lens Color	Peak Wavelength λp (nm)	Vf (v)		Rec. If (mA).	Iv (mcd)		View Angle 2θ1/2(Deg)
				Min	Max		Min	Typ.	
GB-703HD	Red	Red Diffused	697	1.7	2.6	5-20	1.0	3.0	124
GB-703RHD	Bright Red	Red Diffused	660	1.7	2.6	10-20	6.0	8.0	124
GB-703GD	Green	Green Diffused	565	1.7	2.6	10-20	1.0	3.0	124
GB-703YD	Yellow	Yellow Diffused	585	1.7	2.6	10-20	3.0	5.0	124
GB-703SD	Orange	Orange Diffused	610	1.7	2.6	10-20	3.0	5.0	124

TESTING CONDITION FOR EACH PARAMETER :

PARAMETER:	SYMBOL	UNIT	TEST CONDITION
REVERSE VOLTAGE	Vr	VOLT	Vr = 5.0 Volt If = 20mA If = 20mA If = 20mA
REVERSE CURRENT	Ir	μA	
FORWARD VOLTAGE	Vf	VOLT	
LUMINOUS INTENSITY	Iv	MCD	
VIEWING ANGLE	2θ1/2	DEGREE	
RECOMMENDED OPERATING CURRENT	If (Rec)	mA	

