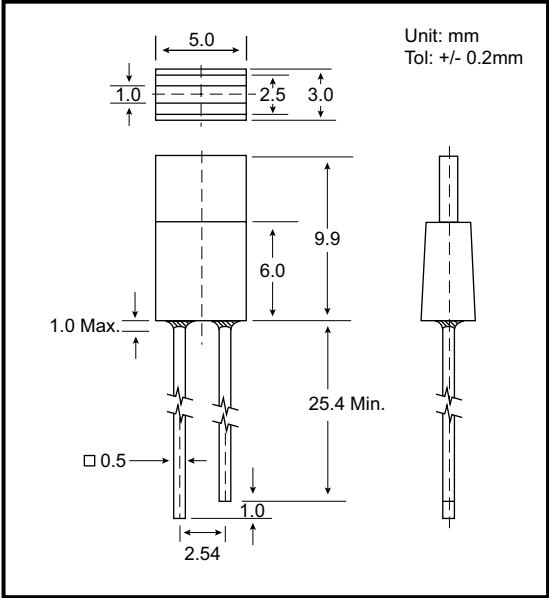


DESCRIPTION:

The 723 series is a 1 x 5 x 9.9mm rectangular package without flange which is most suitable for level indicating application.
 GaP for (723HD/HT, 723GD/GT)
 GaAsP/GaP for (723RHD/RHT, 723YD/YT, 723SD/ST)

PACKAGE DIMENSIONS

ABSOLUTE MAXIMUM RATINGS: (Ta=25°C)

Reverse Voltage	5 Volt
Reverse Current (Vr =5V)	100µA
Operating Temperature Range	-40°C To 85°C
Storage Temperature Range	-40°C To 100°C
Lead Soldering Temperature (1.6mm (1/16)From Body)	260°C For 5 Seconds

NOTES : 1. All dimensions are in millimeters.
 2. Lead spacing is measured where the leads emerge from the package.
 3. Protuded resin under flange is 1.5 mm (0.059") Max.

PART NO. SELECTION AND APPLICATION INFORMATION (RATINGS AT 25°C AMBIENT)

Part No.	Emitted Color	Lens Color	Peak Wavelength λp (nm)	Vf (v)		Rec. If (mA)	Iv (mcd)		View Angle 2θ1/2(Deg)
				Min	Max		Min	Typ.	
GB-723HD	Red	Red Diffused	697	1.7	2.6	5-10	0.3	0.7	106
GB-723RHD	Bright Red	Red Diffused	660	1.7	2.6	10-20	0.4	2.0	106
GB-723GD	Green	Green Diffused	565	1.7	2.6	10-20	0.4	1.5	106
GB-723YD	Yellow	Yellow Diffused	585	1.7	2.6	10-20	0.4	1.5	106
GB-723SD	Orange	Orange Diffused	610	1.7	2.6	10-20	0.4	2.0	106
GB-723HT	Red	Red Trans.	697	1.7	2.6	5-10	1.5	1.8	90
GB-723RHT	Bright Red	Red Trans.	660	1.7	2.6	10-20	4.5	5.2	90
GB-723GT	Green	Green Trans.	565	1.7	2.6	10-20	3.4	3.9	90
GB-723YT	Yellow	Yellow Trans.	585	1.7	2.6	10-20	3.4	3.9	90
GB-723ST	Orange	Orange Trans.	610	1.7	2.6	10-20	4.5	5.2	90

TESTING CONDITION FOR EACH PARAMETER :

PARAMETER:	SYMBOL	UNIT	TEST CONDITION
REVERSE VOLTAGE	Vr	VOLT	Vr = 5.0 Volt
REVERSE CURRENT	Ir	µA	If = 20mA
FORWARD VOLTAGE	Vf	VOLT	If = 20mA
LUMINOUS INTENSITY	Iv	MCD	If = 20mA
VIEWING ANGLE	2θ1/2	DEGREE	
RECOMMENDED OPERATING CURRENT	If (Rec)	mA	

