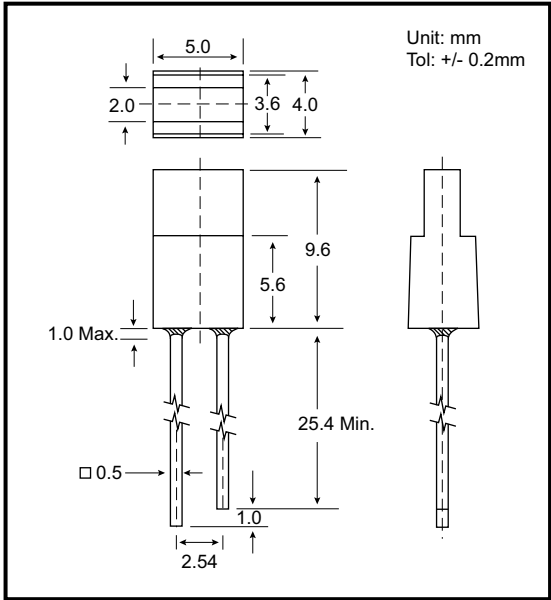


GB-743 SERIES
 Rectangular Tower Type
 Flangeless
 LED Lamps (2 x 5 x 9.6mm)

DESCRIPTION:

The 743 series is a 2 x 5 x 9.6mm rectangular package without flange which is most suitable for panel indicating application.
 GaP for (743HD, 743GD)
 GaAsP/GaP for (743RHD, 743YD, 743SD)

PACKAGE DIMENSIONS



ABSOLUTE MAXIMUM RATINGS: (Ta=25°C)

Reverse Voltage	5 Volt
Reverse Current (Vr =5V)	100µA
Operating Temperature Range	-40°C To 85°C
Storage Temperature Range	-40°C To 100°C
Lead Soldering Temperature (1.6mm (1/16)From Body)	260°C For 5 Seconds

NOTES : 1. All dimensions are in millimeters.
 2. Lead spacing is measured where the leads emerge from the package.
 3. Protuded resin under flange is 1.5 mm (0.059") Max.

PART NO. SELECTION AND APPLICATION INFORMATION (RATINGS AT 25°C AMBIENT)

Part No.	Emitted Color	Lens Color	Peak Wavelength λp (nm)	Vf (v)		Rec. If (mA).	Iv (mcd)		View Angle 2θ1/2(Deg)
				Min	Max		Min	Typ.	
GB-743HD	Red	Red Diffused	697	1.7	2.6	5-10	0.3	0.6	106
GB-743RHD	Bright Red	Red Diffused	660	1.7	2.6	10-20	0.4	1.2	106
GB-743GD	Green	Green Diffused	565	1.7	2.6	10-20	0.4	1.2	106
GB-743YD	Yellow	Yellow Diffused	585	1.7	2.6	10-20	0.4	1.2	106
GB-743SD	Orange	Orange Diffused	610	1.7	2.6	10-20	0.4	1.2	106

TESTING CONDITION FOR EACH PARAMETER :

PARAMETER:	SYMBOL	UNIT	TEST CONDITION
REVERSE VOLTAGE	Vr	VOLT	Vr = 5.0 Volt If = 20mA If = 20mA If = 20mA
REVERSE CURRENT	Ir	µA	
FORWARD VOLTAGE	Vf	VOLT	
LUMINOUS INTENSITY	Iv	MCD	
VIEWING ANGLE	2θ1/2	DEGREE	
RECOMMENDED OPERATING CURRENT	If (Rec)	mA	

