

DESCRIPTION:

The 533 series is a 2.4 x 5 x 8.6mm rectangular package with rounded end top and is most suitable for backlight application.

GaAlAs for (533HR3C)

GaP for (533VGC/YGUC)

GaAsP/GaP for (533VYC)

AlGaInP for (533RS1C, 533UY1C)

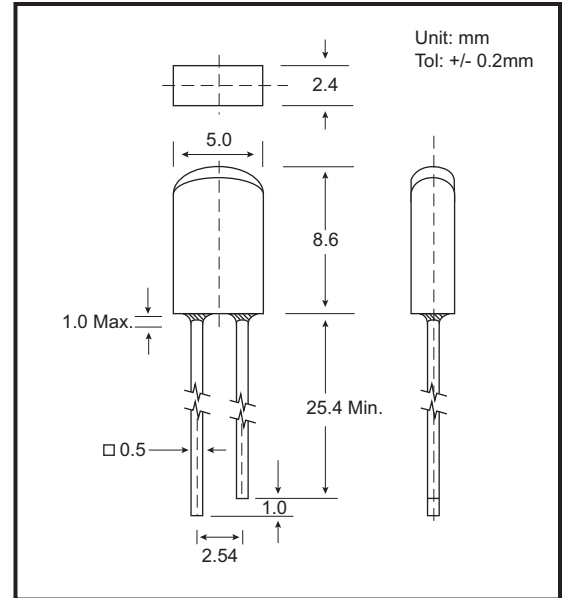
ABSOLUTE MAXIMUM RATINGS: (Ta=25°C)

Reverse Voltage	5 Volt
Reverse Current (Vr =5V)	100μA
Operating Temperature Range	-40°C To 85°C
Storage Temperature Range	-40°C To 100°C
Lead Soldering Temperature (1.6mm (1/16)From Body)	260°C For 5 Seconds

NOTES : 1. All dimensions are in millimeters.

2. Lead spacing is measured where the leads emerge from the package.

3. Protuded resin under flange is 1.5 mm (0.059") Max.

PACKAGE DIMENSIONS

PART NO. SELECTION AND APPLICATION INFORMATION (RATINGS AT 25°C AMBIENT)

Part No.	Emitted Color	Lens Color	Peak Wavelength λp (nm)	Vf (v)		Rec. If (mA).	Iv (mcd)		View Angle 2θ1/2(Deg)
				Min	Max		Min	Typ.	
GB-533HR3C	Super Red	Water Clear	660	1.5	2.6	10-20	120.0	310.0	40
GB-533RS1C	Ultra Red	Water Clear	630	1.5	2.6	10-20	800.0	1100.0	40
GB-533VGC	Super Green	Water Clear	565	1.7	2.6	10-20	50.0	70.0	40
GB-533YGUC	Ultra Green	Water Clear	565	1.7	2.6	10-20	600.0	1250.0	40
GB-533VYC	Super Yellow	Water Clear	585	1.7	2.6	10-20	60.0	110.0	40
GB-533UY1C	Super Yellow	Water Clear	590	1.7	2.6	10-20	500.0	1400.0	40

TESTING CONDITION FOR EACH PARAMETER :

PARAMETER:	SYMBOL	UNIT	TEST CONDITION
REVERSE VOLTAGE	Vr	VOLT	Vr = 5.0 Volt
REVERSE CURRENT	Ir	μA	If = 20mA
FORWARD VOLTAGE	Vf	VOLT	If = 20mA
LUMINOUS INTENSITY	Iv	MCD	If = 20mA
VIEWING ANGLE	2θ1/2	DEGREE	
RECOMMENDED OPERATING CURRENT	If (Rec)	mA	

