

GB-563 SERIES

Rectangular Type
with Arch Top
LED Lamps (2 x 4 x 5.5mm)

DESCRIPTION:

The 563 series is a 2 x 4 x 5.5mm rectangular package with rounded end top which is easily stacked in arrays or used for discrete front panel indicator.

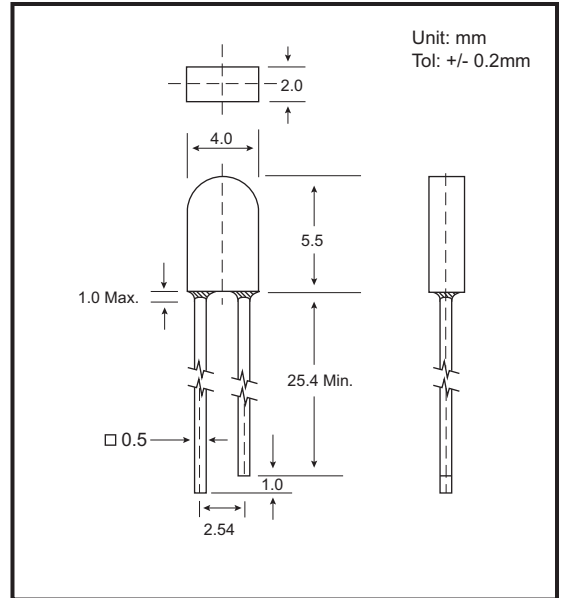
GaAlAs for (563HR3C)
GaP for (563VGC/YGUC)
GaAsP/GaP for (563VYC)
AlGaInP for (563RS1C, 563UY1C)

ABSOLUTE MAXIMUM RATINGS: (Ta=25°C)

Reverse Voltage	5 Volt
Reverse Current (Vr =5V)	100µA
Operating Temperature Range	-40°C To 85°C
Storage Temperature Range	-40°C To 100°C
Lead Soldering Temperature (1.6mm (1/16)From Body)	260°C For 5 Seconds

NOTES : 1. All dimensions are in millimeters.
2. Lead spacing is measured where the leads emerge from the package.
3. Protuded resin under flange is 1.5 mm (0.059") Max.

PACKAGE DIMENSIONS



PART NO. SELECTION AND APPLICATION INFORMATION (RATINGS AT 25°C AMBIENT)

Part No.	Emitted Color	Lens Color	Peak Wavelength λp (nm)	Vf (v)		Rec. If (mA).	Iv (mcd)		View Angle 2θ1/2(Deg)
				Min	Max		Min	Typ.	
GB-563HR3C	Super Red	Water Clear	660	1.5	2.6	10-20	17.0	35.0	58
GB-563SR1C	Super Red	Water Clear	630	1.5	2.6	10-20	44.0	88.0	58
GB-563VGC	Super Green	Water Clear	565	1.7	2.6	10-20	12.0	25.0	58
GB-563YGUC	Super Green	Water Clear	565	1.7	2.6	10-20	21.0	45.0	58
GB-563VYC	Super Yellow	Water Clear	585	1.7	2.6	10-20	9.5	20.0	58
GB-563UY1C	Super Yellow	Water Clear	595	1.7	2.6	10-20	55.0	116.0	58

TESTING CONDITION FOR EACH PARAMETER :

PARAMETER:	SYMBOL	UNIT	TEST CONDITION
REVERSE VOLTAGE	Vr	VOLT	Vr = 5.0 Volt
REVERSE CURRENT	Ir	µA	If = 20mA
FORWARD VOLTAGE	Vf	VOLT	If = 20mA
LUMINOUS INTENSITY	Iv	MCD	If = 20mA
VIEWING ANGLE	2θ1/2	DEGREE	
RECOMMENDED OPERATING CURRENT	If (Rec)	mA	

