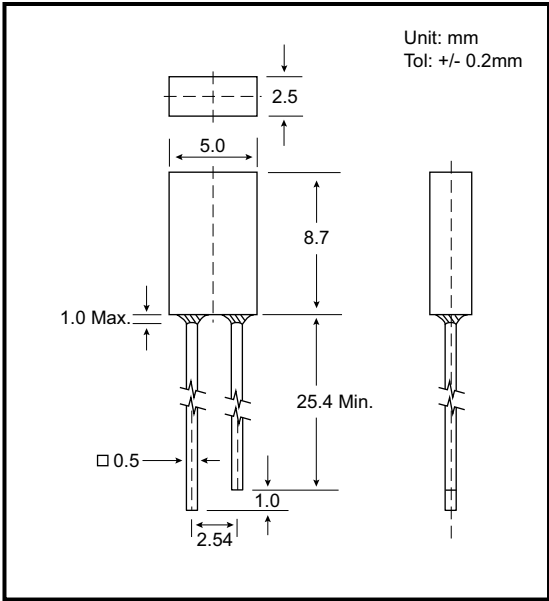


**DESCRIPTION:**

The 583 series is a 2.5 x 5 x 8.7mm rectangular package without flange which is most suitable for segment display application.  
 GaP for (583HD, 583GD)  
 GaAsP/GaP for (583RHD, 583YD, 583SD)

**PACKAGE DIMENSIONS**

**ABSOLUTE MAXIMUM RATINGS: (Ta=25°C)**

|   |                     |
|---|---------------------|
| Reverse Voltage                                       | 5 Volt              |
| Reverse Current (Vr =5V)                              | 100µA               |
| Operating Temperature Range                           | -40°C To 85°C       |
| Storage Temperature Range                             | -40°C To 100°C      |
| Lead Soldering Temperature<br>(1.6mm (1/16)From Body) | 260°C For 5 Seconds |

NOTES : 1. All dimensions are in millimeters.  
 2. Lead spacing is measured where the leads emerge from the package.  
 3. Protuded resin under flange is 1.5 mm (0.059") Max.

**PART NO. SELECTION AND APPLICATION INFORMATION (RATINGS AT 25°C AMBIENT)**

| Part No.  | Emitted Color | Lens Color      | Peak Wavelength λp (nm) | Vf (v) |     | Rec. If (mA) | Iv (mcd) |      | View Angle 2θ1/2(Deg) |
|-----------|---------------|-----------------|-------------------------|--------|-----|--------------|----------|------|-----------------------|
|           |               |                 |                         | Min    | Max |              | Min      | Typ. |                       |
| GB-583HD  | Red           | Red Diffused    | 697                     | 1.7    | 2.6 | 5-10         | 2.0      | 4.0  | 150                   |
| GB-583RHD | Bright Red    | Red Diffused    | 660                     | 1.7    | 2.6 | 10-20        | 6.0      | 8.0  | 150                   |
| GB-583GD  | Green         | Green Diffused  | 565                     | 1.7    | 2.6 | 10-20        | 2.0      | 4.0  | 150                   |
| GB-583YD  | Yellow        | Yellow Diffused | 585                     | 1.7    | 2.6 | 10-20        | 3.0      | 5.0  | 150                   |
| GB-583SD  | Orange        | Orange Diffused | 610                     | 1.7    | 2.6 | 10-20        | 3.0      | 5.0  | 150                   |

**TESTING CONDITION FOR EACH PARAMETER :**

| PARAMETER:                    | SYMBOL   | UNIT   | TEST CONDITION             |
|-------------------------------|----------|--------|----------------------------|
| REVERSE VOLTAGE               | Vr       | VOLT   | Vr = 5.0 Volt<br>If = 20mA |
| REVERSE CURRENT               | Ir       | µA     |                            |
| FORWARD VOLTAGE               | Vf       | VOLT   |                            |
| LUMINOUS INTENSITY            | Iv       | MCD    | If = 20mA                  |
| VIEWING ANGLE                 | 2θ1/2    | DEGREE |                            |
| RECOMMENDED OPERATING CURRENT | If (Rec) | mA     |                            |

