

**DESCRIPTION:**

The 653 series is a 2 x 4 x 5mm rectangular package which is easily stacked in arrays or used for discrete front panel indicator.

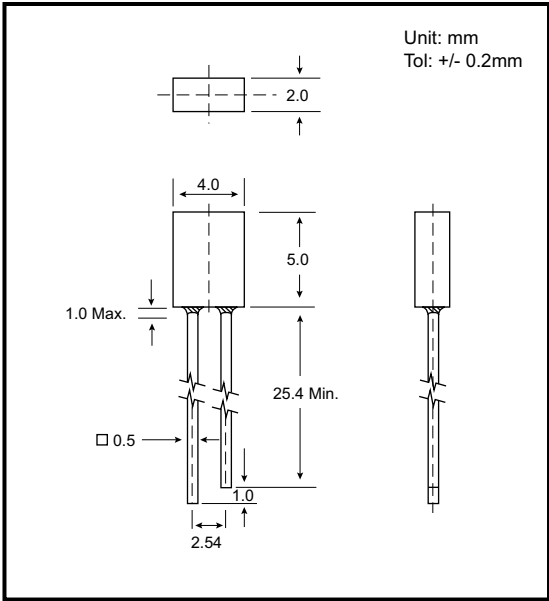
GaP for (653HD, 653GD)

GaAsP/GaP for (653RHD/YD/SD)

**ABSOLUTE MAXIMUM RATINGS: (Ta=25°C)**

Reverse Voltage	5 Volt
Reverse Current (Vr =5V)	100µA
Operating Temperature Range	-40°C To 85°C
Storage Temperature Range	-40°C To 100°C
Lead Soldering Temperature (1.6mm (1/16)From Body)	260°C For 5 Seconds

NOTE : 1. All dimensions are in millimeters.  
 2. Lead spacing is measured where the leads emerge from the package.  
 3. Protuded resin under flange is 1.5 mm (0.059") Max.

**PACKAGE DIMENSIONS**

**PART NO. SELECTION AND APPLICATION INFORMATION (RATINGS AT 25°C AMBIENT)**

Part No.	Emitted Color	Lens Color	Peak Wavelength λp (nm)	Vf (v)		Rec. If (mA).	Iv (mcd)		View Angle 2θ1/2(Deg)
				Min	Max		Min	Typ.	
GB-653HD	Red	Red Diffused	697	1.7	2.6	10-20	3.0	5.0	120
GB-653RHD	Bright Red	Red Diffused	660	1.7	2.6	10-20	4.0	8.0	120
GB-653GD	Green	Green Diffused	565	1.7	2.6	10-20	3.0	5.0	120
GB-653YD	Yellow	Yellow Diffused	585	1.7	2.6	10-20	2.0	6.0	120
GB-653SD	Orange	Orange Diffused	610	1.7	2.6	10-20	3.0	5.0	120

**TESTING CONDITION FOR EACH PARAMETER :**

PARAMETER:	SYMBOL	UNIT	TEST CONDITION
REVERSE VOLTAGE	Vr	VOLT	Vr = 5.0 Volt
REVERSE CURRENT	Ir	µA	If = 20mA
FORWARD VOLTAGE	Vf	VOLT	If = 20mA
LUMINOUS INTENSITY	Iv	MCD	If = 20mA
VIEWING ANGLE	2θ1/2	DEGREE	
RECOMMENDED OPERATING CURRENT	If (Rec)	mA	

