

**DESCRIPTION:**

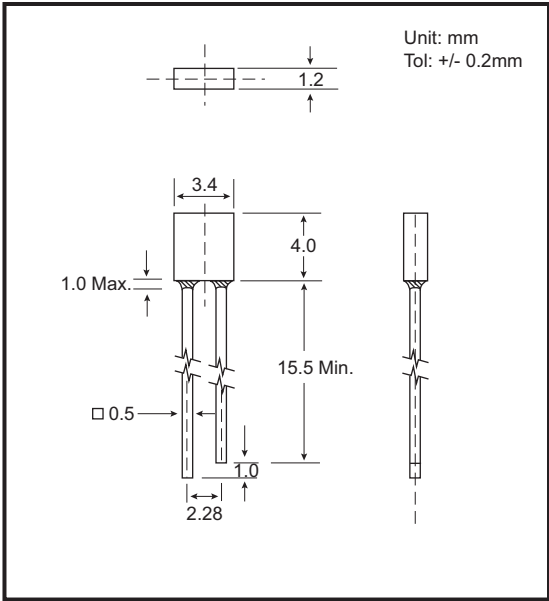
The 682 series is most suitable for use as level indicator with 1.2 x 3.4 x 4mm package.

The semi-conductor materials used are:

GaP for (682HD, 682GC/GD/GT)

GaAsP/GaP for (682RHC/RHD/RHT, 682YC/YD/YT)

**PACKAGE DIMENSIONS**



**ABSOLUTE MAXIMUM RATINGS: (Ta=25°C)**

Reverse Voltage	5 Volt
Reverse Current (Vr =5V)	100µA
Operating Temperature Range	-40°C To 85°C
Storage Temperature Range	-40°C To 100°C
Lead Soldering Temperature (1.6mm (1/16)From Body)	260°C For 5 Seconds

- NOTES : 1. All dimensions are in millimeters.  
 2. Lead spacing is measured where the leads emerge from the package.  
 3. Protuded resin under flange is 1.5 mm (0.059") Max.

**PART NO. SELECTION AND APPLICATION INFORMATION (RATINGS AT 25°C AMBIENT)**

Part No.	Emitted Color	Lens Color	Peak Wavelength λp (nm)	Vf (v)		Rec. If (mA).	Iv (mcd)		View Angle 2θ1/2(Deg)
				Min	Max		Min	Typ.	
GB-682HD	Red	Red Diffused	697	1.7	2.6	5-10	1.0	2.0	160
GB-682RHD	Bright Red	Red Diffused	660	1.7	2.6	10-20	3.4	4.0	160
GB-682GD	Green	Green Diffused	565	1.7	2.6	10-20	2.5	3.0	160
GB-682YD	Yellow	Yellow Diffused	585	1.7	2.6	10-20	2.5	3.0	160
GB-682RHT	Bright Red	Red Trans.	660	1.7	2.6	10-20	8.9	10.4	150
GB-682GT	Green	Green Trans.	565	1.7	2.6	10-20	6.6	7.7	150
GB-682YT	Yellow	Yellow Trans.	585	1.7	2.6	10-20	6.6	7.7	150
GB-682RHC	Bright Red	Water Clear	660	1.7	2.6	10-20	8.9	10.4	150
GB-682GC	Green	Water Clear	565	1.7	2.6	10-20	6.6	7.7	150
GB-682YC	Yellow	Water Clear	585	1.7	2.6	10-20	6.6	7.7	150

**TESTING CONDITION FOR EACH PARAMETER :**

PARAMETER:	SYMBOL	UNIT	TEST CONDITION
REVERSE VOLTAGE	Vr	VOLT	Vr = 5.0 Volt
REVERSE CURRENT	Ir	µA	If = 20mA
FORWARD VOLTAGE	Vf	VOLT	If = 20mA
LUMINOUS INTENSITY	Iv	MCD	If = 20mA
VIEWING ANGLE	2θ1/2	DEGREE	
RECOMMENDED OPERATING CURRENT	If (Rec)	mA	

