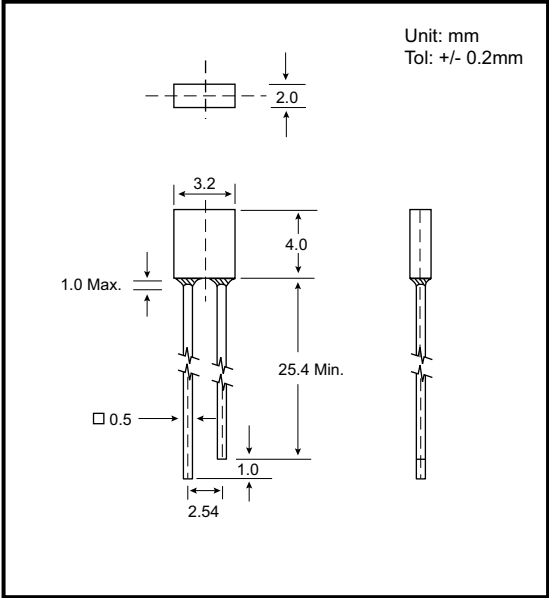


**DESCRIPTION:**

The 693 series is a 2 x 3 x 4mm rectangular package without flange which is most suitable for segment display and side backlight application.  
 AlGaInP for (693UIC, 693UGC, 693UY2C, 693UO2C)  
 InGaN/Sic for (693B472C, 693BG2C, 693PG2C, 693W2C)

**PACKAGE DIMENSIONS**

**ABSOLUTE MAXIMUM RATINGS: (Ta=25°C)**

Reverse Voltage	5 Volt
Reverse Current (Vr =5V)	100µA
Operating Temperature Range	-40°C To 85°C
Storage Temperature Range	-40°C To 100°C
Lead Soldering Temperature (1.6mm (1/16)From Body)	260°C For 5 Seconds

NOTES : 1. All dimensions are in millimeters.  
 2. Lead spacing is measured where the leads emerge from the package.  
 3. Protuded resin under flange is 1.5 mm (0.059") Max.

**PART NO. SELECTION AND APPLICATION INFORMATION (RATINGS AT 25°C AMBIENT)**

Part No.	Emitted Color	Lens Color	Peak Wavelength λp (nm)	Vf (v)		Rec. If (mA).	Iv (mcd)		View Angle 2θ1/2(Deg)
				Min	Max		Min	Typ.	
GB-693UIC	Ultra Red	Water Clear	635	1.7	2.6	20	28.0	70.0	130
GB-693UY2C	Ultra Yellow	Water Clear	590	1.7	2.6	20	64.0	160.0	130
GB-693UO2C	Ultra Orange	Water Clear	610	1.7	2.6	20	72.0	170.0	130
GB-693B472C	Blue	Water Clear	470	2.8	4.5	20	110.0	250.0	130
GB-693BG2C	Bluish Green	Water Clear	505	2.8	4.5	20	450.0	970.0	130
GB-693PG2C	Pure Green	Water Clear	525	2.8	4.5	20	450.0	970.0	130
GB-693W2C	White	Water Clear	TYPICAL CHROMATICITY COORDINATES	2.8	4.5	20	180.0	450.0	130
			X   0.31   Y   0.32						

**TESTING CONDITION FOR EACH PARAMETER :**

PARAMETER:	SYMBOL	UNIT	TEST CONDITION
REVERSE VOLTAGE	Vr	VOLT	Vr = 5.0 Volt If = 20mA If = 20mA If = 20mA
REVERSE CURRENT	Ir	µA	
FORWARD VOLTAGE	Vf	VOLT	
LUMINOUS INTENSITY	Iv	MCD	
VIEWING ANGLE	2θ1/2	DEGREE	
RECOMMENDED OPERATING CURRENT	If (Rec)	mA	

