

DESCRIPTION:

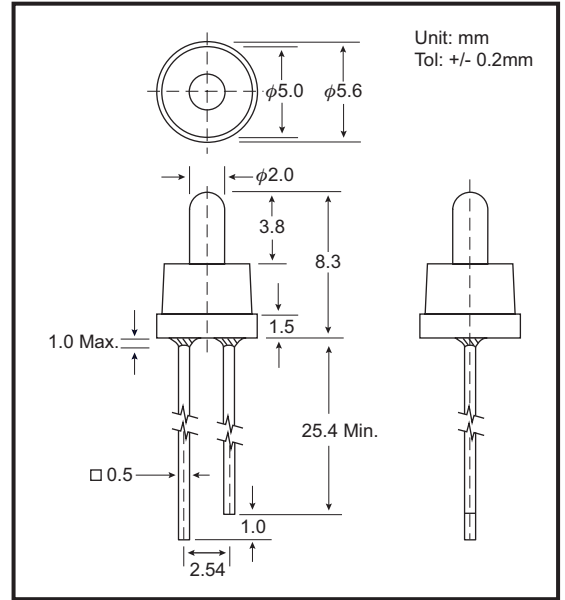
The 124 series is a 2mm diameter tower type and is most suitable for use as panel indicators.
The semi-conductor materials used are:
GaP for (124HD, 124GD)
GaAsP/GaP for (124RHD, 124YD and 124SD)

ABSOLUTE MAXIMUM RATINGS: (Ta=25°C)

Reverse Voltage	5 Volt
Reverse Current (Vr =5V)	100μA
Operating Temperature Range	-40°C To 85°C
Storage Temperature Range	-40°C To 100°C
Lead Soldering Temperature (1.6mm (1/16)From Body)	260°C For 5 Seconds

NOTES : 1. All dimensions are in millimeters.
2. Lead spacing is measured where the leads emerge from the package.
3. Protuded resin under flange is 1.5 mm (0.059") Max.

PACKAGE DIMENSIONS



PART NO. SELECTION AND APPLICATION INFORMATION (RATINGS AT 25°C AMBIENT)

Part No.	Emitted Color	Lens Color	Peak Wavelength λp (nm)	Vf (v)		Rec. If (mA)	Iv (mcd)		View Angle 2θ1/2(Deg)
				Min	Max		Min	Typ.	
GB-124HD	Red	Red Diffused	697	1.7	2.6	5-10	0.6	2.0	130
GB-124RHD	Bright Red	Red Diffused	660	1.7	2.6	10-20	1.8	5.0	130
GB-124GD	Green	Green Diffused	565	1.7	2.6	10-20	1.8	5.0	130
GB-124YD	Yellow	Yellow Diffused	585	1.7	2.6	10-20	1.8	5.0	130
GB-124SD	Orange	Orange Diffused	610	1.7	2.6	10-20	1.8	5.0	130

TESTING CONDITION FOR EACH PARAMETER :

PARAMETER:	SYMBOL	UNIT	TEST CONDITION
REVERSE VOLTAGE	Vr	VOLT	Vr = 5.0 Volt If = 20mA If = 20mA If = 20mA
REVERSE CURRENT	Ir	μA	
FORWARD VOLTAGE	Vf	VOLT	
LUMINOUS INTENSITY	Iv	MCD	
VIEWING ANGLE	2θ1/2	DEGREE	
RECOMMENDED OPERATING CURRENT	If (Rec)	mA	

