

### DESCRIPTION:

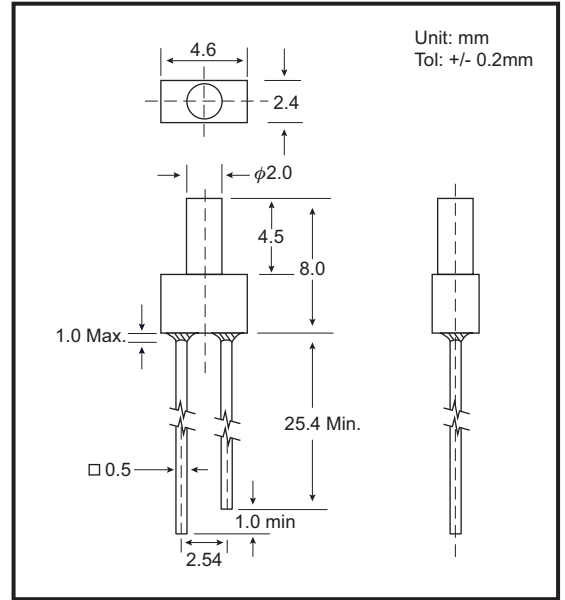
The 144 series is a 2mm diameter tower type and is most suitable for use as panel indicators.  
The semi-conductor materials used are:  
GaP for (144HD, 144GD)  
GaAsP/GaP for (144RHD, 144YD and 144SD)

### ABSOLUTE MAXIMUM RATINGS: (Ta=25°C)

Reverse Voltage	5 Volt
Reverse Current (Vr =5V)	100µA
Operating Temperature Range	-40°C To 85°C
Storage Temperature Range	-40°C To 100°C
Lead Soldering Temperature (1.6mm (1/16)From Body)	260°C For 5 Seconds

NOTES : 1. All dimensions are in millimeters.  
2. Lead spacing is measured where the leads emerge from the package.  
3. Protuded resin under flange is 1.5 mm (0.059") Max.

### PACKAGE DIMENSIONS



### PART NO. SELECTION AND APPLICATION INFORMATION (RATINGS AT 25°C AMBIENT)

Part No.	Emitted Color	Lens Color	Peak Wavelength λp (nm)	Vf (v)		Rec. If (mA).	Iv (mcd)		View Angle 2θ1/2(Deg)
				Min	Max		Min	Typ.	
GB-144HD	Red	Red Diffused	697	1.7	2.6	10-20	1.3	2.0	100
GB-144RHD	Bright Red	Red Diffused	660	1.7	2.6	10-20	16.0	27.0	100
GB-144GD	Green	Green Diffused	565	1.7	2.6	10-20	14.0	23.0	100
GB-144YD	Yellow	Yellow Diffused	585	1.7	2.6	10-20	10.0	16.0	100
GB-144SD	Orange	Orange Diffused	610	1.7	2.6	10-20	17.0	27.0	100

### TESTING CONDITION FOR EACH PARAMETER :

PARAMETER:	SYMBOL	UNIT	TEST CONDITION
REVERSE VOLTAGE	Vr	VOLT	Vr = 5.0 Volt
REVERSE CURRENT	Ir	µA	If = 20mA
FORWARD VOLTAGE	Vf	VOLT	If = 20mA
LUMINOUS INTENSITY	Iv	MCD	If = 20mA
VIEWING ANGLE	2θ1/2	DEGREE	
RECOMMENDED OPERATING CURRENT	If (Rec)	mA	

