

**DESCRIPTION:**

The 164 series is a 2mm diameter tower type and is most suitable for use as panel indicators.

The semi-conductor materials used are:

GaP for (164HD, 164GD)

GaAsP/GaP for (164RHD, 164YD and 164SD)

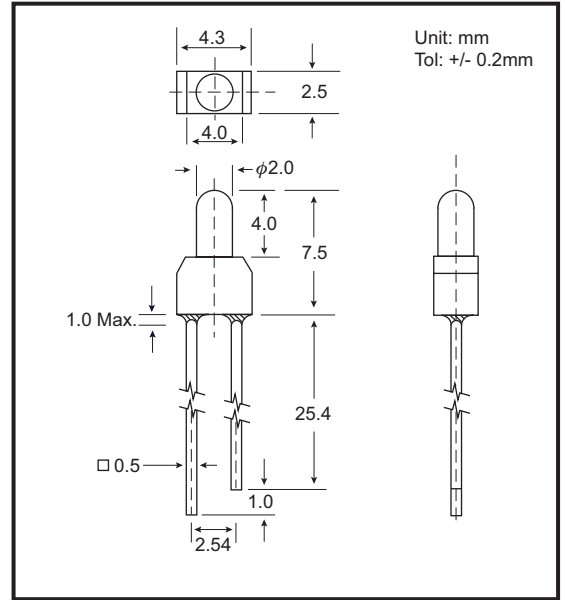
**ABSOLUTE MAXIMUM RATINGS: (Ta=25°C)**

Reverse Voltage	5 Volt
Reverse Current (Vr =5V)	100μA
Operating Temperature Range	-40°C To 85°C
Storage Temperature Range	-40°C To 100°C
Lead Soldering Temperature (1.6mm (1/16)From Body)	260°C For 5 Seconds

NOTES : 1. All dimensions are in millimeters.

2. Lead spacing is measured where the leads emerge from the package.

3. Protuded resin under flange is 1.5 mm (0.059") Max.

**PACKAGE DIMENSIONS**

**PART NO. SELECTION AND APPLICATION INFORMATION (RATINGS AT 25°C AMBIENT)**

Part No.	Emitted Color	Lens Color	Peak Wavelength λp (nm)	Vf (v)		Rec. If (mA)	Iv (mcd)		View Angle 2θ1/2(Deg)
				Min	Max		Min	Typ.	
GB-164HD	Red	Red Diffused	697	1.7	2.6	5-10	0.4	1.1	130
GB-164RHD	Bright Red	Red Diffused	660	1.7	2.6	10-20	1.0	3.5	130
GB-164GD	Green	Green Diffused	565	1.7	2.6	10-20	1.0	3.5	130
GB-164YD	Yellow	Yellow Diffused	585	1.7	2.6	10-20	1.0	3.5	130
GB-164SD	Orange	Orange Diffused	610	1.7	2.6	10-20	1.0	3.5	130

**TESTING CONDITION FOR EACH PARAMETER :**

PARAMETER:	SYMBOL	UNIT	TEST CONDITION
REVERSE VOLTAGE	Vr	VOLT	Vr = 5.0 Volt
REVERSE CURRENT	Ir	μA	If = 20mA
FORWARD VOLTAGE	Vf	VOLT	If = 20mA
LUMINOUS INTENSITY	Iv	MCD	If = 20mA
VIEWING ANGLE	2θ1/2	DEGREE	
RECOMMENDED OPERATING CURRENT	If (Rec)	mA	

