

DESCRIPTION:

The 184 series is a 1.8mm diameter small tower type and is most suitable for use as panel indicators.

The semi-conductor materials used are:

GaP for (184HT, 184GD/GT)

GaAsP/GaP for (184RHD/RHT, 184YD/YT and 184YD/HT)

ABSOLUTE MAXIMUM RATINGS: (Ta=25°C)

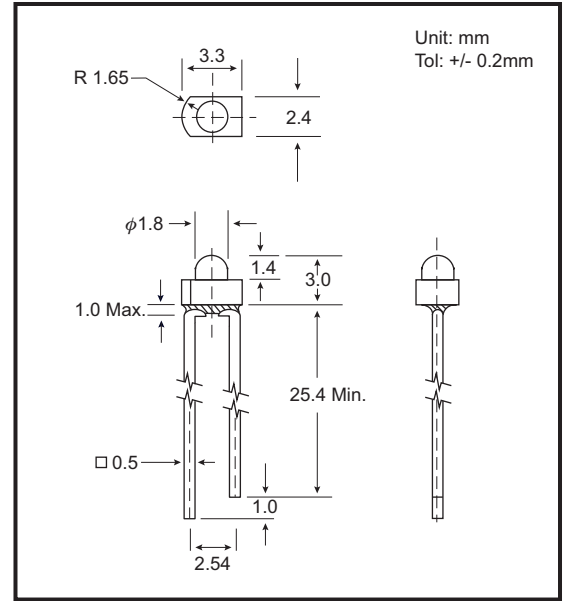
Reverse Voltage	5 Volt
Reverse Current (Vr =5V)	100µA
Operating Temperature Range	-40°C To 85°C
Storage Temperature Range	-40°C To 100°C
Lead Soldering Temperature (1.6mm (1/16)From Body)	260°C For 5 Seconds

NOTES : 1. All dimensions are in millimeters.

2. Lead spacing is measured where the leads emerge from the package.

3. Protuded resin under flange is 1.5 mm (0.059") Max.

PACKAGE DIMENSIONS



PART NO. SELECTION AND APPLICATION INFORMATION (RATINGS AT 25°C AMBIENT)

Part No.	Emitted Color	Lens Color	Peak Wavelength λp (nm)	Vf (v)		Rec. If (mA).	Iv (mcd)		View Angle 2θ1/2(Deg)
				Min	Max		Min	Typ.	
GB-184RHD	Bright Red	Red Diffused	660	1.7	2.6	10-20	8.0	20.0	60
GB-184GD	Green	Green Diffused	565	1.7	2.6	10-20	8.0	20.0	60
GB-184YD	Yellow	Yellow Diffused	585	1.7	2.6	10-20	8.0	20.0	60
GB-184SD	Orange	Orange Diffused	610	1.7	2.6	10-20	15.0	13.0	60
GB-184HT	Red	Red Trans.	697	1.7	2.6	5-10	1.0	1.6	45
GB-184RHT	Bright Red	Red Trans.	660	1.7	2.6	10-20	44.0	52.0	45
GB-184GT	Green	Green Trans.	565	1.7	2.6	10-20	44.0	52.0	45
GB-184YT	Yellow	Yellow Trans.	586	1.7	2.6	10-20	44.0	52.0	45
GB-184RHC	Bright Red	Water Clear	660	1.7	2.6	10-20	44.0	52.0	45

TESTING CONDITION FOR EACH PARAMETER :

PARAMETER:	SYMBOL	UNIT	TEST CONDITION
REVERSE VOLTAGE	Vr	VOLT	Vr = 5.0 Volt
REVERSE CURRENT	Ir	µA	If = 20mA
FORWARD VOLTAGE	Vf	VOLT	If = 20mA
LUMINOUS INTENSITY	Iv	MCD	If = 20mA
VIEWING ANGLE	2θ1/2	DEGREE	
RECOMMENDED OPERATING CURRENT	If (Rec)	mA	

