

DESCRIPTION:

The 553 series is a 5x5mm square package which is most suitable for segment display application.

GaP for (553HD, 553GD)

GaAsP/GaP for (553RHD, 553YD, 553SD)

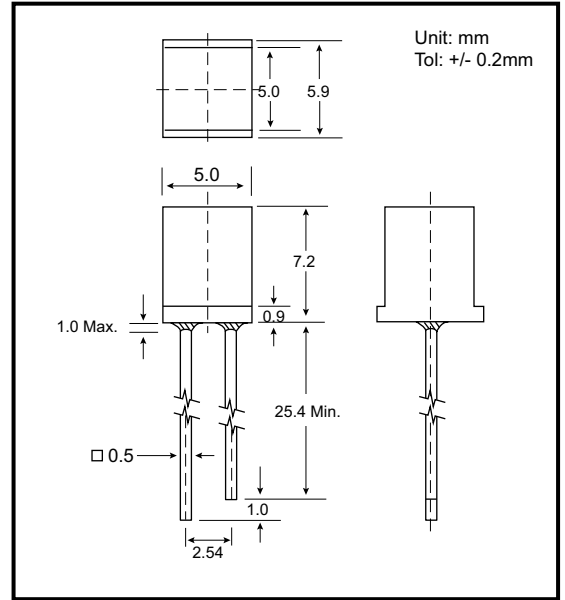
ABSOLUTE MAXIMUM RATINGS: (Ta=25°C)

Reverse Voltage	5 Volt
Reverse Current (Vr =5V)	100μA
Operating Temperature Range	-40°C To 85°C
Storage Temperature Range	-40°C To 100°C
Lead Soldering Temperature (1.6mm (1/16)From Body)	260°C For 5 Seconds

NOTES : 1. All dimensions are in millimeters.

2. Lead spacing is measured where the leads emerge from the package.

3. Protuded resin under flange is 1.5 mm (0.059") Max.

PACKAGE DIMENSIONS

PART NO. SELECTION AND APPLICATION INFORMATION (RATINGS AT 25°C AMBIENT)

Part No.	Emitted Color	Lens Color	Peak Wavelength λp (nm)	Vf (v)		Rec. If (mA)	Iv (mcd)		View Angle 2θ1/2(Deg)
				Min	Max		Min	Typ.	
GB-553HD	Red	Red Diffused	697	1.7	2.6	5-10	1.0	2.0	150
GB-553RHD	Bright Red	Red Diffused	660	1.7	2.6	10-20	3.0	5.0	150
GB-553GD	Green	Green Diffused	565	1.7	2.6	10-20	1.0	2.0	150
GB-553YD	Yellow	Yellow Diffused	585	1.7	2.6	10-20	2.0	3.0	150
GB-553SD	Orange	Orange Diffused	610	1.7	2.6	10-20	2.0	3.0	150

TESTING CONDITION FOR EACH PARAMETER :

PARAMETER:	SYMBOL	UNIT	TEST CONDITION
REVERSE VOLTAGE	Vr	VOLT	Vr = 5.0 Volt If = 20mA If = 20mA
REVERSE CURRENT	Ir	μA	
FORWARD VOLTAGE	Vf	VOLT	
LUMINOUS INTENSITY	Iv	MCD	If = 20mA
VIEWING ANGLE	2θ1/2	DEGREE	
RECOMMENDED OPERATING CURRENT	If (Rec)	mA	

