

DESCRIPTION:

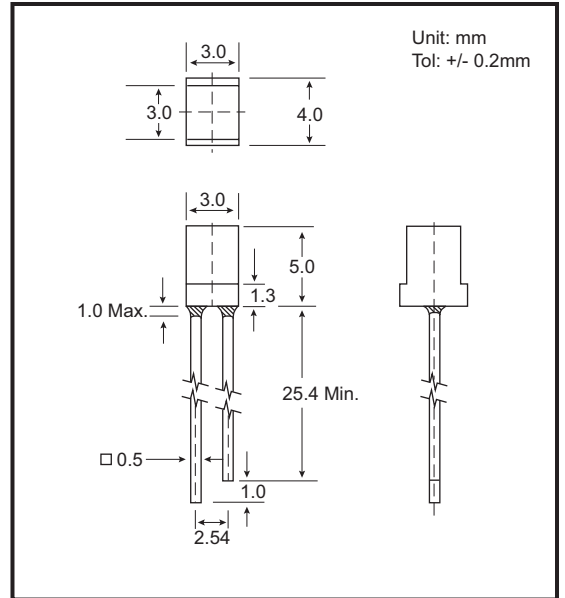
The 593 series is most suitable for segment display.
The semi-conductor materials used are:
GaP for (593HD, 593GD)
GaAsP/GaP for (593RHD/YD/SD)

ABSOLUTE MAXIMUM RATINGS: (Ta=25°C)

Reverse Voltage	5 Volt
Reverse Current (Vr =5V)	100µA
Operating Temperature Range	-40°C To 85°C
Storage Temperature Range	-40°C To 100°C
Lead Soldering Temperature (1.6mm (1/16)From Body)	260°C For 5 Seconds

NOTES : 1. All dimensions are in millimeters.
2. Lead spacing is measured where the leads emerge from the package.
3. Protuded resin under flange is 1.5 mm (0.059") Max.

PACKAGE DIMENSIONS



PART NO. SELECTION AND APPLICATION INFORMATION (RATINGS AT 25°C AMBIENT)

Part No.	Emitted Color	Lens Color	Peak Wavelength λp (nm)	Vf (v)		Rec. If (mA).	Iv (mcd)		View Angle 2θ1/2(Deg)
				Min	Max		Min	Typ.	
GB-593HD	Red	Red Diffused	697	1.7	2.6	10-20	3.0	5.0	140
GB-593RHD	Bright Red	Red Diffused	660	1.7	2.6	10-20	8.0	10.0	140
GB-593GD	Green	Green Diffused	565	1.7	2.6	10-20	5.0	7.0	140
GB-593YD	Yellow	Yellow Diffused	585	1.7	2.6	10-20	3.0	5.0	140
GB-593SD	Orange	Orange Diffused	610	1.7	2.6	10-20	3.0	5.0	140

TESTING CONDITION FOR EACH PARAMETER :

PARAMETER:	SYMBOL	UNIT	TEST CONDITION
REVERSE VOLTAGE	Vr	VOLT	Vr = 5.0 Volt
REVERSE CURRENT	Ir	µA	If = 20mA
FORWARD VOLTAGE	Vf	VOLT	If = 20mA
LUMINOUS INTENSITY	Iv	MCD	If = 20mA
VIEWING ANGLE	2θ1/2	DEGREE	
RECOMMENDED OPERATING CURRENT	If (Rec)	mA	

