

DESCRIPTION:

The 333 Super Bright series is conventional 5mm LED lamps utilizing higher intensity materials to achieve superior performance.

The semi-conductor materials used are:

GaAlAs for (333HR3C/HR3D)

GaP for (333VGC/VGD, 333YGUC/YGUD)

GaAsP/GaP for (333VYC/VYD)

AlGaInP for (333RS1C/RS1D, 333UY1C/UY1D)

ABSOLUTE MAXIMUM RATINGS: (Ta=25°C)

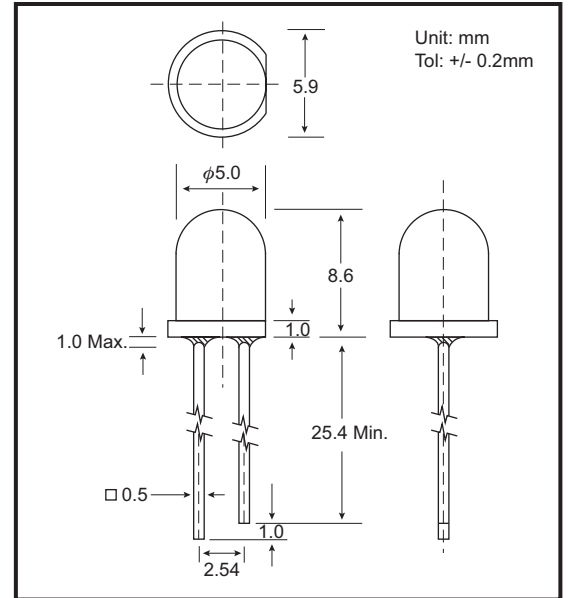
| | |
|---|---------------------|
| Reverse Voltage | 5 Volt |
| Reverse Current (Vr =5V) | 100μA |
| Operating Temperature Range | -40°C To 85°C |
| Storage Temperature Range | -40°C To 100°C |
| Lead Soldering Temperature (1.6mm (1/16)From Body) | 260°C For 5 Seconds |

NOTES : 1. All dimensions are in millimeters.

2. Lead spacing is measured where the leads emerge from the package.

3. Protuded resin under flange is 1.5 mm (0.059") Max.

PACKAGE DIMENSIONS



PART NO. SELECTION AND APPLICATION INFORMATION (RATINGS AT 25°C AMBIENT)

| Part No. | Emitted Color | Lens Color | Peak Wavelength λp (nm) | Vf (v) | | Rec. If (mA). | Iv (mcd) | | View Angle 2θ1/2(Deg) |
|------------|---------------|-----------------|-------------------------|--------|-----|---------------|----------|--------|-----------------------|
| | | | | Min | Max | | Min | Typ. | |
| GB-333HR3D | Super Red | Red Diffused | 660 | 1.7 | 2.6 | 10-20 | 60.0 | 80.0 | 36 |
| GB-333RS1D | Super Red | Red Diffused | 635 | 1.7 | 2.6 | 10-20 | 200.0 | 250.0 | 36 |
| GB-333VGD | Super Green | Green Diffused | 565 | 1.7 | 2.6 | 10-20 | 35.0 | 50.0 | 36 |
| GB-333YGUD | Super Green | Green Diffused | 565 | 1.7 | 2.6 | 10-20 | 60.0 | 80.0 | 36 |
| GB-333VYD | Super Yellow | Yellow Diffused | 585 | 1.7 | 2.6 | 10-20 | 30.0 | 38.0 | 36 |
| GB-333UY1D | Super Yellow | Yellow Diffused | 590 | 1.7 | 2.6 | 10-20 | 200.0 | 250.0 | 36 |
| GB-333HR3C | Super Red | Water Clear | 660 | 1.7 | 2.6 | 10-20 | 160.0 | 230.0 | 16 |
| GB-333RS1C | Super Red | Water Clear | 635 | 1.7 | 2.6 | 10-20 | 800.0 | 1000.0 | 16 |
| GB-333VGC | Super Green | Water Clear | 565 | 1.7 | 2.6 | 10-20 | 250.0 | 350.0 | 16 |
| GB-333YGUC | Super Green | Water Clear | 565 | 1.7 | 2.6 | 10-20 | 300.0 | 420.0 | 16 |
| GB-333VYC | Super Yellow | Water Clear | 585 | 1.7 | 2.6 | 10-20 | 85.0 | 120.0 | 16 |
| GB-333UY1C | Super Yellow | Water Clear | 590 | 1.7 | 2.6 | 10-20 | 700.0 | 1000.0 | 16 |

TESTING CONDITION FOR EACH PARAMETER :

| PARAMETER: | SYMBOL | UNIT | TEST CONDITION |
|-------------------------------|----------|--------|----------------|
| REVERSE VOLTAGE | Vr | VOLT | Vr = 5.0 Volt |
| REVERSE CURRENT | Ir | μA | If = 20mA |
| FORWARD VOLTAGE | Vf | VOLT | If = 20mA |
| LUMINOUS INTENSITY | Iv | MCD | If = 20mA |
| VIEWING ANGLE | 2θ1/2 | DEGREE | |
| RECOMMENDED OPERATING CURRENT | If (Rec) | mA | |

