

DESCRIPTION:

The 383 Super Bright series is designed specially for the requirement of super intensity, and is most suitable for outdoor application requiring high brightness.

The semi-conductor materials used are:

GaAlAs for (383HR3C/HR3T)

GaP for (383VGC/VGT, 383YGUC/YGUT)

GaAsP/GaP for (383VYC/VYT)

AlGaInP for (383RS1C/RS1T, 383UY1C/UY1T)

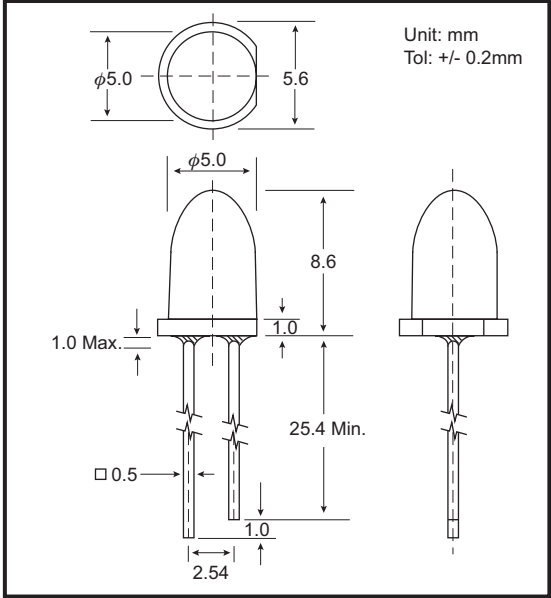
ABSOLUTE MAXIMUM RATINGS: (Ta=25°C)

Reverse Voltage	5 Volt
Reverse Current (Vr =5V)	100μA
Operating Temperature Range	-40°C To 85°C
Storage Temperature Range	-40°C To 100°C
Lead Soldering Temperature (1.6mm (1/16)From Body)	260°C For 5 Seconds

NOTES : 1. All dimensions are in millimeters.

2. Lead spacing is measured where the leads emerge from the package.

3. Protuded resin under flange is 1.5 mm (0.059") Max.

PACKAGE DIMENSIONS

PART NO. SELECTION AND APPLICATION INFORMATION (RATINGS AT 25°C AMBIENT)

Part No.	Emitted Color	Lens Color	Peak Wavelength λp (nm)	Vf (v)		Rec. If (mA).	Iv (mcd)		View Angle 2θ1/2(Deg)
				Min	Max		Min	Typ.	
GB-383HR3T	Super Red	Red Trans.	660	1.7	2.6	10-20	140.0	360.0	12
GB-383RS1T	Super Red	Red Trans.	635	1.7	2.6	10-20	1200.0	1500.0	12
GB-383VGT	Super Green	Green Trans.	565	1.7	2.6	10-20	72.0	350.0	12
GB-383YGUT	Super Green	Green Trans.	565	1.7	2.6	10-20	240.0	420.0	12
GB-383VYT	Super Yellow	Yellow Trans.	585	1.7	2.6	10-20	72.0	120.0	12
GB-383UY1T	Super Yellow	Yellow Trans.	590	1.7	2.6	10-20	420.0	1000.0	12
GB-383HR3C	Super Red	Water Clear	660	1.7	2.6	10-20	140.0	360.0	12
GB-383RS1C	Super Red	Water Clear	635	1.7	2.6	10-20	1200.0	1500.0	12
GB-383VGC	Super Green	Water Clear	565	1.7	2.6	10-20	72.0	350.0	12
GB-383YGUC	Super Green	Water Clear	565	1.7	2.6	10-20	240.0	420.0	12
GB-383VYC	Super Yellow	Water Clear	585	1.7	2.6	10-20	72.0	120.0	12
GB-383UY1C	Super Yellow	Water Clear	590	1.7	2.6	10-20	420.0	1000.0	12

TESTING CONDITION FOR EACH PARAMETER :

PARAMETER:	SYMBOL	UNIT	TEST CONDITION
REVERSE VOLTAGE	Vr	VOLT	Vr = 5.0 Volt
REVERSE CURRENT	Ir	μA	If = 20mA
FORWARD VOLTAGE	Vf	VOLT	If = 20mA
LUMINOUS INTENSITY	Iv	MCD	If = 20mA
VIEWING ANGLE	2θ1/2	DEGREE	
RECOMMENDED OPERATING CURRENT	If (Rec)	mA	

