

**DESCRIPTION:**

The 912 series is a 3.2x4.4mm triangle type LED lamp and fits into panels up to 3.6mm thick.

The semi-conductor materials used are:

GaP for (912HD/HC, 912GC/GD)

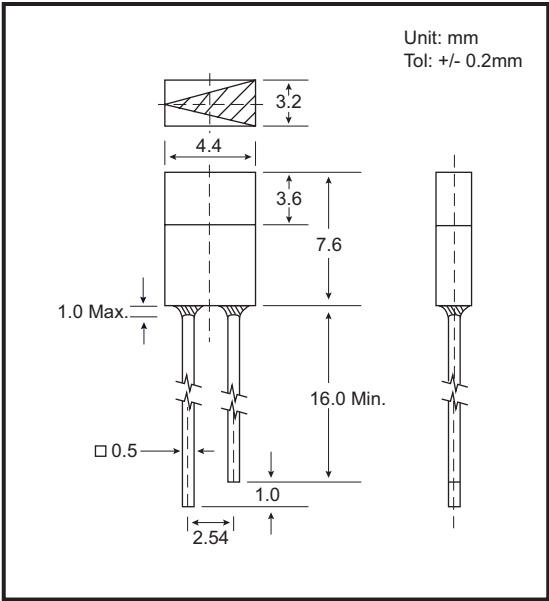
GaAsP/GaP for (912RHC/RHD, 912YC/YD and 912SC/SD)

**ABSOLUTE MAXIMUM RATINGS: (Ta=25°C)**

Reverse Voltage	5 Volt
Reverse Current (Vr =5V)	100µA
Operating Temperature Range	-40°C To 85°C
Storage Temperature Range	-40°C To 100°C
Lead Soldering Temperature (1.6mm (1/16)From Body)	260°C For 5 Seconds

NOTES : 1. All dimensions are in millimeters.  
2. Lead spacing is measured where the leads emerge from the package.  
3. Protuded resin under flange is 1.5 mm (0.059") Max.

**PACKAGE DIMENSIONS**



**PART NO. SELECTION AND APPLICATION INFORMATION (RATINGS AT 25°C AMBIENT)**

Part No.	Emitted Color	Lens Color	Peak Wavelength λp (nm)	Vf (v)		Rec. If (mA).	Iv (mcd)		View Angle 2θ1/2(Deg)
				Min	Max		Min	Typ.	
GB-912HD	Red	Red Diffused	697	1.7	2.6	5-10	0.1	0.3	90
GB-912RHD	Bright Red	Red Diffused	660	1.7	2.6	10-20	0.8	1.8	90
GB-912GD	Green	Green Diffused	565	1.7	2.6	10-20	1.0	2.3	90
GB-912YD	Yellow	Yellow Diffused	585	1.7	2.6	10-20	1.0	2.3	90
GB-912SD	Orange	Orange Diffused	610	1.7	2.6	10-20	2.5	5.6	90
GB-912HC	Red	Water Clear	697	1.7	2.6	5-10	0.18	0.4	75
GB-912RHC	Bright Red	Water Clear	660	1.7	2.6	10-20	1.1	2.5	75
GB-912GC	Green	Water Clear	565	1.7	2.6	10-20	1.5	3.2	75
GB-912YC	Yellow	Water Clear	585	1.7	2.6	10-20	1.5	3.2	75
GB-912SC	Orange	Water Clear	610	1.7	2.6	10-20	3.5	7.8	75

**TESTING CONDITION FOR EACH PARAMETER :**

PARAMETER:	SYMBOL	UNIT	TEST CONDITION
REVERSE VOLTAGE	Vr	VOLT	Vr = 5.0 Volt If = 20mA If = 20mA If = 20mA
REVERSE CURRENT	Ir	µA	
FORWARD VOLTAGE	Vf	VOLT	
LUMINOUS INTENSITY	Iv	MCD	
VIEWING ANGLE	2θ1/2	DEGREE	
RECOMMENDED OPERATING CURRENT	If (Rec)	mA	

