

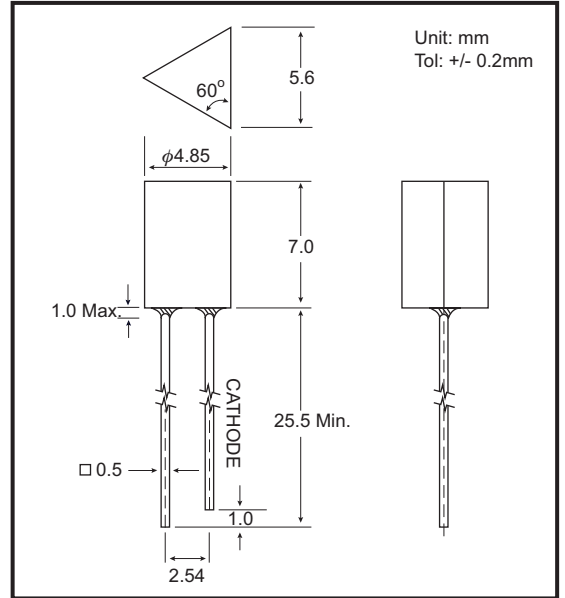
**DESCRIPTION:**

The 923 series is a 5.6x4.8mm triangle type LED lamps and is very suitable for direction indicators.

GaP for (923HD/HC, 923GC/GD)

GaAsP/GaP for (923RHC/RHD, 923YC/YD and 923SC/SD)

**PACKAGE DIMENSIONS**



**ABSOLUTE MAXIMUM RATINGS: (Ta=25°C)**

Reverse Voltage	5 Volt
Reverse Current (Vr =5V)	100µA
Operating Temperature Range	-40°C To 85°C
Storage Temperature Range	-40°C To 100°C
Lead Soldering Temperature (1.6mm (1/16)From Body)	260°C For 5 Seconds

- NOTES : 1. All dimensions are in millimeters.  
2. Lead spacing is measured where the leads emerge from the package.  
3. Protuded resin under flange is 1.5 mm (0.059") Max.

**PART NO. SELECTION AND APPLICATION INFORMATION (RATINGS AT 25°C AMBIENT)**

Part No.	Emitted Color	Lens Color	Peak Wavelength λp (nm)	Vf (v)		Rec. If (mA).	Iv (mcd)		View Angle 2θ1/2(Deg)
				Min	Max		Min	Typ.	
GB-923HD	Red	Red Diffused	697	1.7	2.6	10-20	0.3	0.8	140
GB-923RHD	Bright Red	Red Diffused	660	1.7	2.6	10-20	3.6	8.0	140
GB-923GD	Green	Green Diffused	565	1.7	2.6	10-20	3.2	7.0	140
GB-923YD	Yellow	Yellow Diffused	585	1.7	2.6	10-20	2.9	6.4	140
GB-923SD	Orange	Orange Diffused	610	1.7	2.6	10-20	3.4	7.5	140
GB-923HC	Red	Water Clear	697	1.7	2.6	10-20	2.5	5.6	120
GB-923RHC	Bright Red	Water Clear	660	1.7	2.6	10-20	25.0	56.0	120
GB-923GC	Green	Water Clear	565	1.7	2.6	10-20	22.0	49.0	120
GB-923YC	Yellow	Water Clear	585	1.7	2.6	10-20	20.0	45.0	120
GB-923SC	Orange	Water Clear	610	1.7	2.6	10-20	24.0	52.0	120

**TESTING CONDITION FOR EACH PARAMETER :**

PARAMETER:	SYMBOL	UNIT	TEST CONDITION
REVERSE VOLTAGE	Vr	VOLT	Vr = 5.0 Volt If = 20mA If = 20mA If = 20mA
REVERSE CURRENT	Ir	µA	
FORWARD VOLTAGE	Vf	VOLT	
LUMINOUS INTENSITY	Iv	MCD	
VIEWING ANGLE	2θ1/2	DEGREE	
RECOMMENDED OPERATING CURRENT	If (Rec)	mA	

